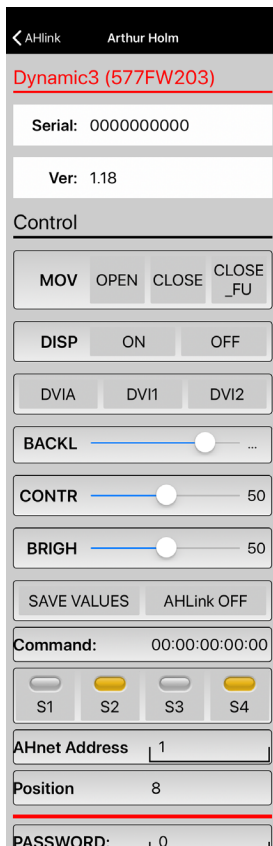


Dynamic3

HDCP compliant aluminum foldable and rotatable monitor



Highlights

- Entirely built of aluminum
- Opens, folds down and rotates 180°
- 2 working positions (vertical and horizontal)
- Adjustable and memorisable tilt angle from 90 to 110°
- Automatic image flip
- Synchronized tray lift movement
- Floating security sensor
- Energy saving design, low consumption video controller
- 2 DVI I/HDCP compliant
- RS422/RS485 I/O
- ISD: Interactive Setup Display for adjustments and service
- AHlink: Wireless connectivity for setup, adjustments and service
- AH-AMMC: Auto Mechanical Movement Calibration

AHlink : the App for setup, control and diagnose



ARTHUR HOLM

Albiral Display Solutions SL · Fàtima, 25 Sant Hipòlit de Voltregà 08512 Barcelona, Spain · +34 938 502 376 · marketing@arthurholm.com · www.arthurholm.com
Arthur Holm is a registered brand of Albiral Display Solutions SL. Specifications subject to change without previous notice.

Technology serving Design

General

Arthur Holm Dynamic3 is a motorized product range that provides different working positions while keeping a low profile inside the working desk and a perfect integration in the furniture. The aluminum monitor housing rises and leans, has an additional 180° rotation movement, and retracts inside the work surface in 2 different positions: with the monitor oriented up or down.

The screen's lifting system automatically activates the elevation of a tray where keyboard and mouse can be placed. We have selected the best possible aluminum finishing specifications in the world, providing the maximum technical and visual performance and the screen is protected with an anti-reflective 2 side coating 3 mm black edged glass.

Dynamic3 is available from 15.6" to 21.5", with 2 DVI-HDCP compliant inputs and equipped with an interactive setup display (ISD) allowing the control, setup and diagnose of the monitors. Monitors provide RS-422 I/O allowing the remote control of movements, speeds, safety settings, brightness, contrast and backlight.

The monitor can also be adjusted and controlled via a wireless application: AHlink. The AHlink Android and iOS App allows the access to the setup and control menu and to get the serial number and firmware version without removing the monitor from the table. The Auto Mechanical Movement Calibration automatically adjust the speeds and the safety protection parameters. The use of the ERT-30 and ERT-60 enables an automatic individual address configuration of all the monitors in a meeting table.

Technical Specifications

Display

Size	FULL HD 17.3" TFT Active Matrix
Resolution	1920 (h) x 1080 (v)
Brightness	400 cd/m2
Contrast ratio	600:1
Pixel	0.1989 (h) x 0.1989 (v) mm
Viewing angle	60°/80° (u/d) / 80°/80° (l/r)
Viewing area	381.888 (h) x 214.812 (v) mm
LED backlight lifespan	50,000 hrs
Response time	Tr 37 ms, Tf 3 ms
Temperature (operating/storage)	Operating 0°C – +40°C Storage -20°C – +60°C

Materials

Monitor housing	Anodized Aluminum
Glass	AR 2 side with an anti-reflective coating on the glass surface. Thickness: 3.0 ± 0.3 mm
Cover plate	Anonized aluminum

Connectivity

Input signal	DVI-I (1 input) – HDCP Compliant DVI-D (1 input) – HDCP Compliant
RJ45 CAT5 (with loop)	Addressable RS422 monitor control by AHnet protocol
GPI (SubD9)	Movements Control
USB	For service

Control

RJ45, RS-422 (I/O)
Addressing
Termination switch
GPI
IR Remote control (monitor adjustments): 1/5

Movement's Control

User interface on monitor	(Up/Down/Face Up)
Remote	RS-422 I/O/GPI

Electrical

Low voltage (external power supply)	100-240Vac, 47/63Hz, 12Vdc
Power consumption	50W

Mechanical

Dimensions:	
Upper cover plate	509 x 419 x 4.1 mm [20.03" x 16.49" x 0.16"]
Housing below the table	499 x 401.9 x 102.5 mm [19.64" x 15.82" x 4.03"]
Weight	17.7 Kg / 39.02 Lbs
Shipping Dimensions:	
Weight	18.8 Kg / 41.4 Lbs
Shipping Box	559 x 469 x 222 mm [22" x 18.46" x 8.74"]

ARTHUR HOLM

Albiral Display Solutions SL · Fàtima, 25 Sant Hipòlit de Voltregà 08512 Barcelona, Spain · +34 938 502 376 · marketing@arthurholm.com · www.arthurholm.com
Arthur Holm is a registered brand of Albiral Display Solutions SL. Specifications subject to change without previous notice.

Technology serving Design

Options

- Projected capacitive multi-touch screen
- Built-in DynamicTalk
- Integrated USB camera
- Integrated connectors on cover plate
- Retractable HDMI cable
- Keyboard and mouse
- DynamicLoop
- DynamicShare

Finishes

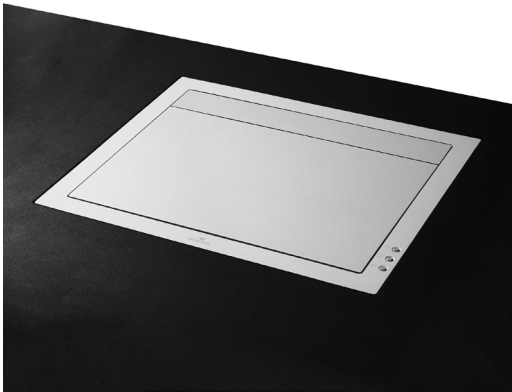
- Laser engraved logo
- Underneath installation
- Black anodized
- Gold
- Bronze
- Painted

Certifications

- CE
- FCC
- IECEE
- CB

Warranty

- 2 years general warranty

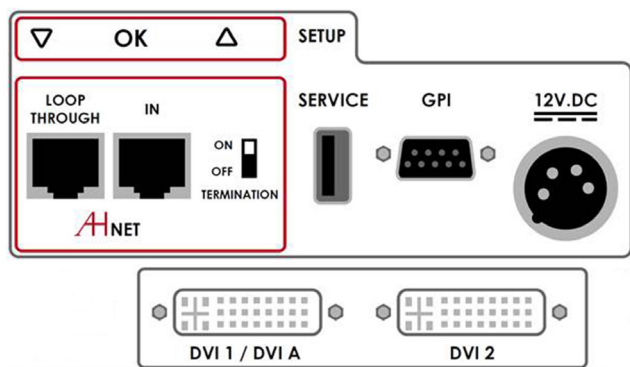


ARTHUR HOLM

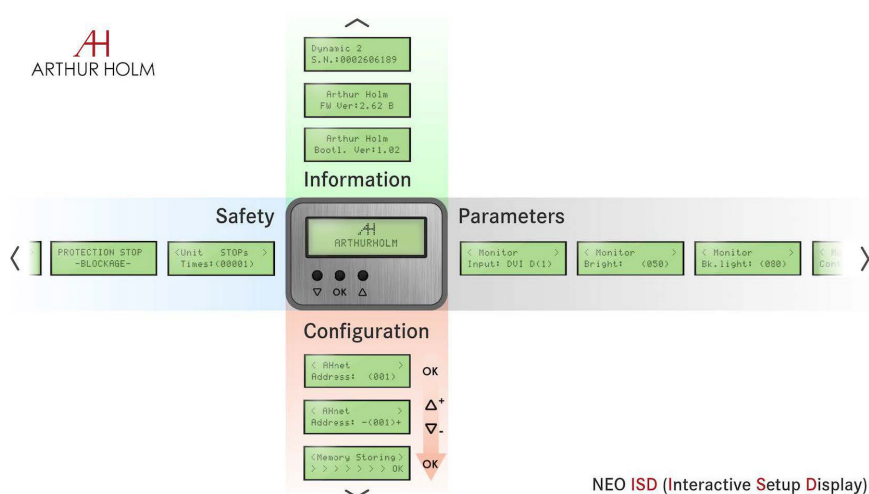
Albiral Display Solutions SL · Fàtima, 25 Sant Hipòlit de Voltregà 08512 Barcelona, Spain · +34 938 502 376 · marketing@arthurholm.com · www.arthurholm.com
Arthur Holm is a registered brand of Albiral Display Solutions SL. Specifications subject to change without previous notice.

Technology serving Design

Connectivity Panel



Interactive Setup Display



NEO ISD (Interactive Setup Display)

Consultants, architects and engineers specifications

Motorized foldable and rotatable 17.3" Full HD professional monitor. The monitor housing shall be made of milled anodized aluminum and the screen shall be protected with anti-reflective 2 side coating black edged 3 mm glass. The monitor shall have a brightness of 400 cd/m², a contrast ratio of 600:1 and a backlight lifespan of 50,000 hours.

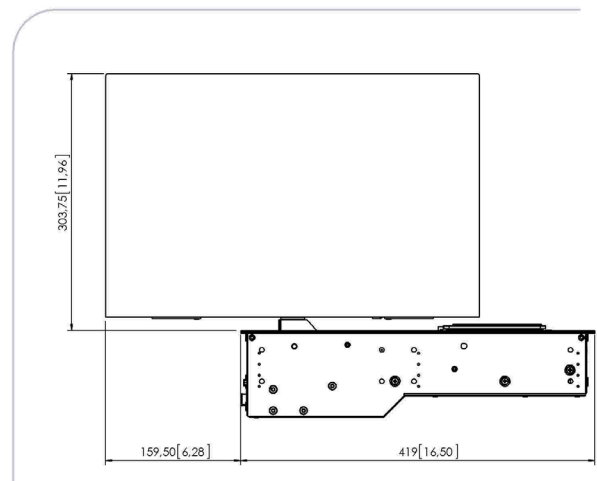
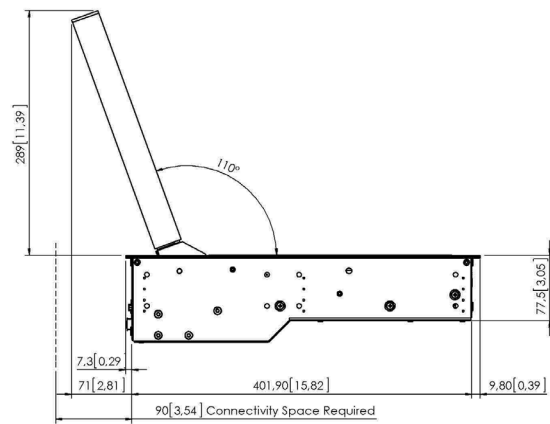
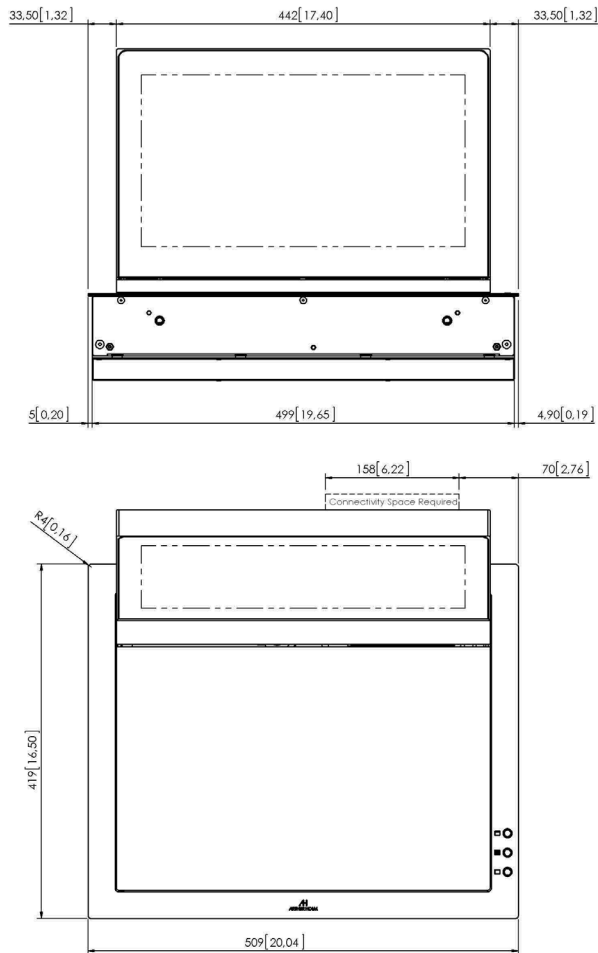
The monitor's opening mechanism shall activate automatically the rising of a synchronized aluminum tray covering the entire opening surface. The monitor shall provide 2 working positions: vertical with an adjustable tilt angle of up 20° and horizontal flush on the table. The monitor shall be capable to rotate 180° and be folded with the screen facing down. The monitor shall provide an automated image adaptation for vertical and horizontal monitor position. The monitor shall provide 2 DVI HDCP inputs by a licensed HDCP monitor manufacturer.

The monitor shall provide an addressable RS-422/RS-485 and an easy to read Interactive Setup Display (ISD) to access the safety parameters, the setup of the speeds and the control of the brightness, contrast and backlight. The monitor shall be able to run an autoadjustment program to reset the factory setups. The monitor shall provide a USB port for firmware upgrades. The monitor shall be controlled by a wireless Android and iOS app providing information about the monitor's serial number, and providing access to the control and to the setup menu.

ARTHUR HOLM

Albiral Display Solutions SL · Fàtima, 25 Sant Hipòlit de Voltregà 08512 Barcelona, Spain · +34 938 502 376 · marketing@arthurholm.com · www.arthurholm.com
Arthur Holm is a registered brand of Albiral Display Solutions SL. Specifications subject to change without previous notice.

Technology serving Design



ARTHUR HOLM

Albiral Display Solutions SL · Fàtima, 25 Sant Hipòlit de Voltregà 08512 Barcelona, Spain · +34 938 502 376 · marketing@arthurholm.com · www.arthurholm.com
 Arthur Holm is a registered brand of Albiral Display Solutions SL. Specifications subject to change without previous notice.

Technology serving Design